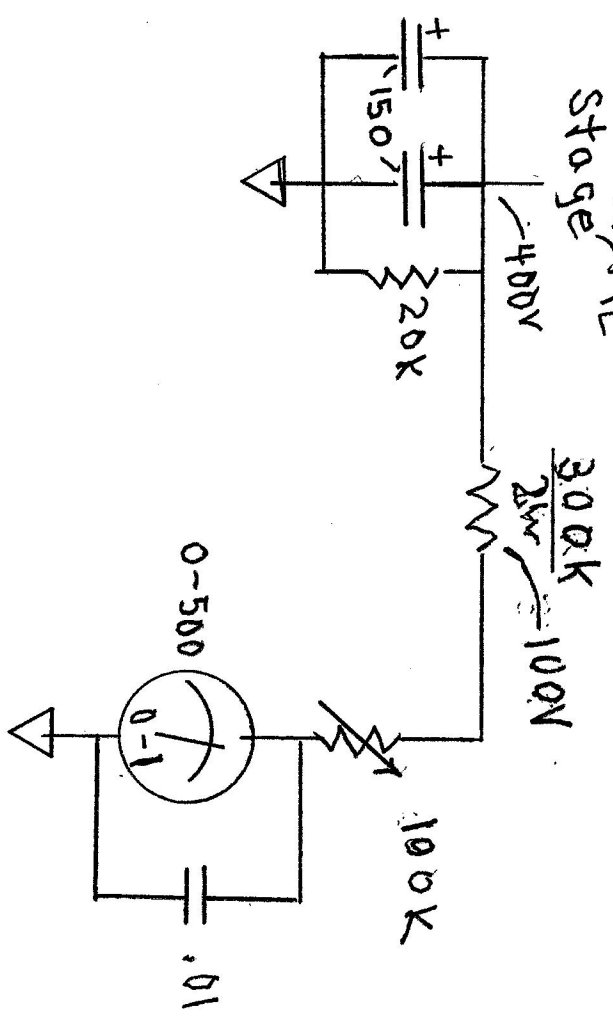


LAST  
Electrolytic  
Stage



$$400V = .001R$$

$$R = 400K$$

$$400V \times .001 = 0.4 \text{ WATT}$$

Plate Voltmeter